



ULTRA LINE

MODEL	PIPING in-out inches	EXCHANGE CAPACITY *				Q.ty of Resin litres	FLOW RATE maximum m ³ /h	RESIN TANK DIMENSIONS		SALT TANK DIMENSIONS		WEIGHT	
		minimum m ³ *°f	salt kg	maximum m ³ *°f	salt kg			diameter mm	height mm	diameter mm	height mm	operating kg	shipping kg
eSW 200	1½	734	14	1188	41	198	18	500	1915	715	1310	495	395
eSW 230	1½	838	16	1359	45	226	18	500	1915	715	1310	530	425
eSW 290	2	1047	20	1698	57	283	26	600	1930	850	1320	715	570
eSW 320	2	1150	22	1869	62	311	26	600	1930	850	1320	750	600
eSW 430	2	1570	30	2550	85	424	30	750	1980	1025	1290	1080	860
eSW 510	2	1887	36	3060	102	510	30	750	1980	1025	1290	1160	930
eSW 770	2	2827	54	4587	153	764	34	950	2056	1070	1360	1830	1470
eSW 850	2	3141	60	5097	170	849	34	950	2056	1070	1360	1940	1550
eSW 1200	2	4503	86	7136	243	1217	34	1200	2170	1580	1260	2800	2240
eSW 1400	2	5235	100	8325	283	1415	34	1200	2170	1580	1260	3000	2420
eSW 770	2½	2830	54	4587	153	764	50	950	2056	1070	1360	1840	1480
eSW 850	2½	3141	60	5097	170	849	50	950	2056	1070	1360	1950	1560
eSW 1200	2½	4503	86	7136	243	1217	50	1200	2170	1580	1260	2810	2250
eSW 1400	2½	5235	100	8325	283	1415	50	1200	2170	1580	1260	3010	2430
eSW 1700	4	5970	111	10430	328	1568	114	1500	2620	1580	1260	6105	3355
eSW 2100	4	7520	150	11390	328	1904	114	1500	2620	1580	1260	6354	3644
eSW 2500	4	8470	165	16050	564	2296	114	1800	2660	BRINE MAKER Δ		8480	4500
eSW 3000	4	9680	186	18480	660	2632	114	1800	2660			8760	4790
eSW 4500	6	15520	300	28500	1020	4032	227	2100	3030			13080	7300
eSW 6600	6	23180	450	42900	1500	6020	227	2500	3100			19585	10485

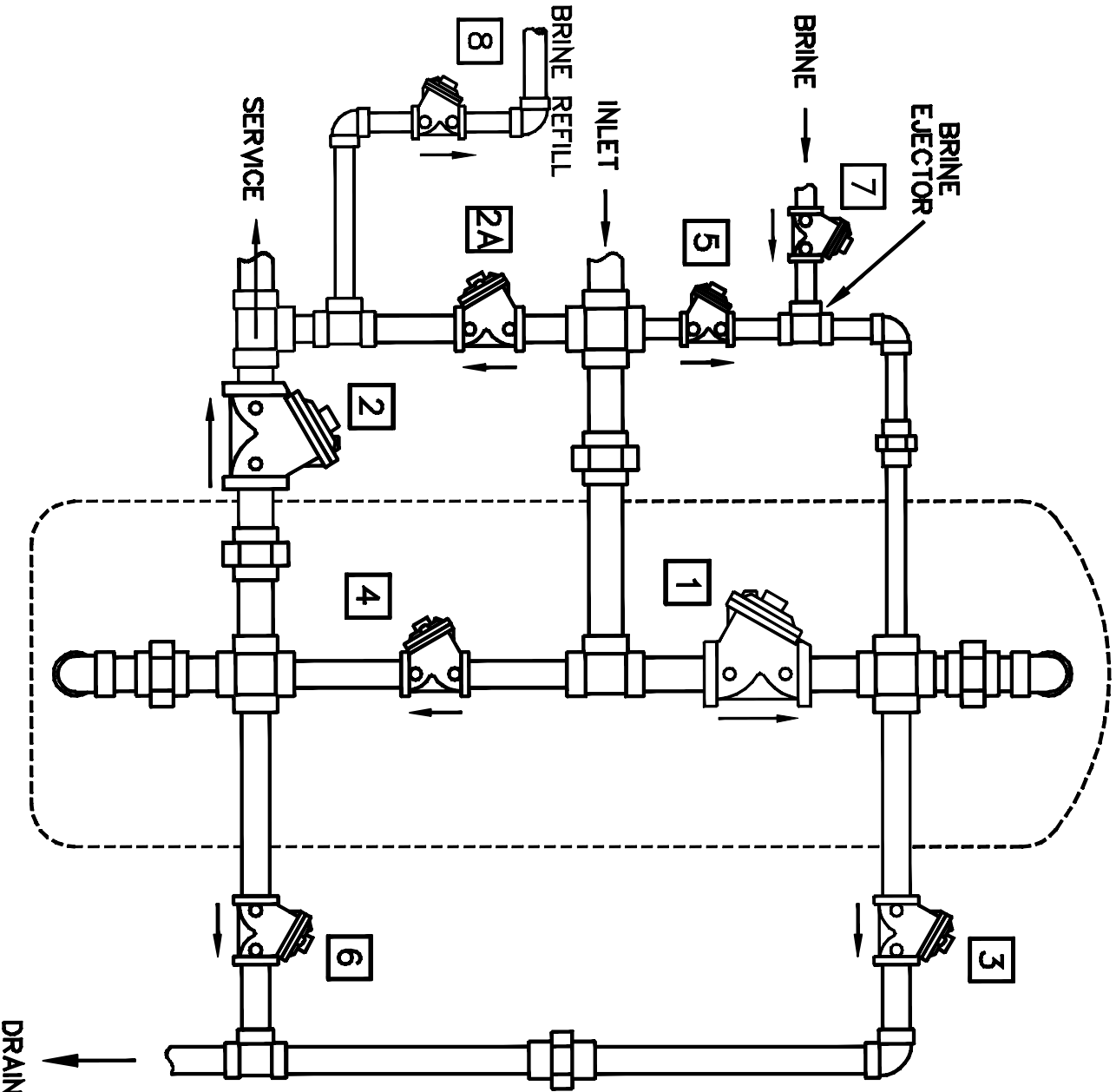
* The exchange capacity is based on water having 40°f (400 ppm as CaCO₃) of total hardness, 500 ppm TDS, no oil, no colour, no turbidity and a continuous service flow rate. However, it may change depending on other parameters, such as Chlorides, available pressure, discontinuous flow of treated water, the quality and the type of regenerant used.

Δ Brine Maker dimensions are indicated in the design drawings.

OPERATING DATA

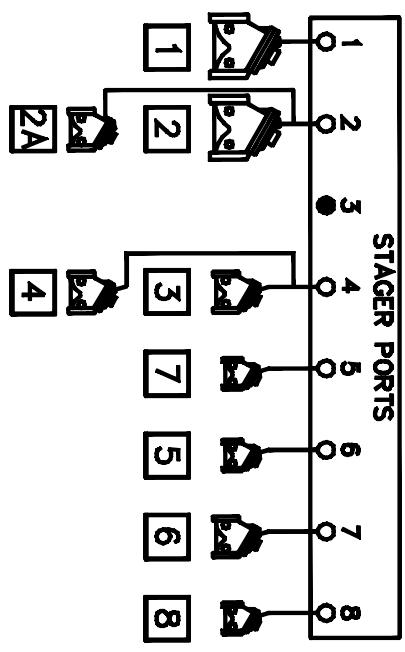
	Hi-Flo 2	SOFT MINDER TWIN PLUS	ULTRA LINE
MAXIMUM OPERATING PRESSURE	8.5 BAR	8.5 BAR	7 BAR UP TO MODEL HB 2100 5 BAR FROM MODEL HB 2500
OPERATING TEMPERATURE	5-50 °C	5-50 °C *	5-50 °C *
POWER SUPPLY	24/230 V - 50 Hz SINGLE-PHASE + EARTH	24/230 V - 50 Hz SINGLE-PHASE + EARTH	24/230 V - 50 Hz SINGLE-PHASE + EARTH
INSTALLED POWER	20 W	20 W	20 W

* Noryl valves can be employed for temperatures up to 40° C.



NOTCH	POS.	FUNCTION	PORTS VENTED (NOTE 1)	VALVES OPEN
A	0	SERVICE	1,2	1,2
B				
C	1	BACKWASH	4	3,4,2A
D				
E	2	BRINE	5,6,7	5,6,7,2A
F	3	SLOW RINSE	6,7	5,6,2A
G	4	FAST RINSE	1,7	1,6,2A
H	5	BRINE REFILL	1,2,8	1,2,8

SERIES 51-06 STAGER



- NOTE:**
1. ALL OTHER PORTS PRESSURIZED.
 2. ALL VALVES (EXCEPT NO. 2A) NORMALLY OPEN, PRESSURE TO CLOSE. VALVE 2A NORMALLY CLOSED, DURING REGENERATION.
 3. VALVE 2A REQUIRED FOR RAW WATER BYPASS.
 4. DRAIN LINE FLOW CONTROLLER NOT SHOWN.

A	INITIAL RELEASE	NONE	ECD	DWN	DATE	APVD
REV	DESCRIPTION					



EAC VIETNAM CORP
<http://www.eacvnm.com>
 hotline: 0904747576

6 POSITION SOFTENER			
SCALE	DRAIN	DATE	DRG. NO.
N/A	JWB		1078279

6 POSITION SOFTENER W/ TIMED BRINE & REFILL.